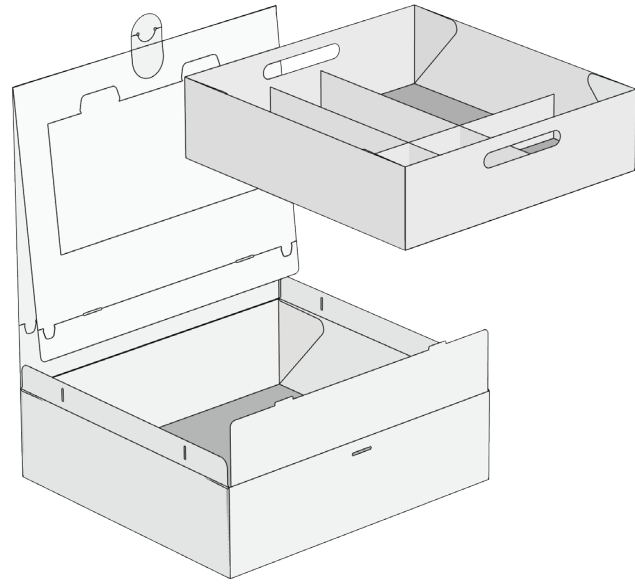
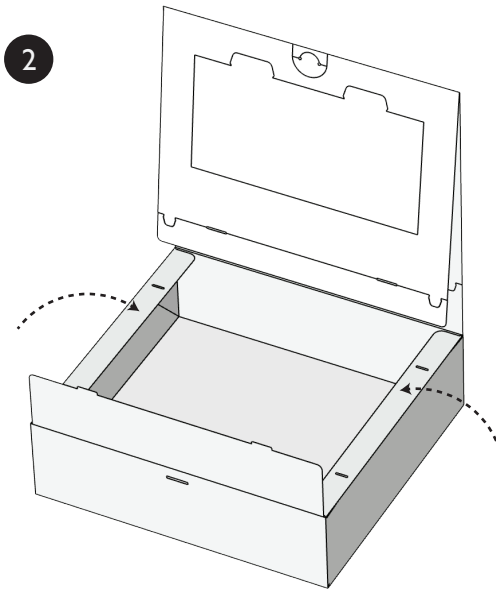


1



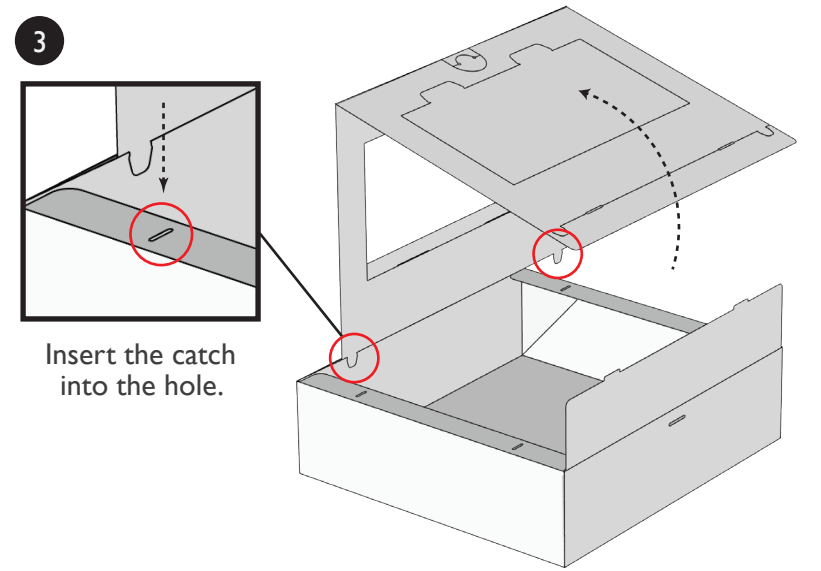
Remove the tray

2



Fold the side flaps inwards

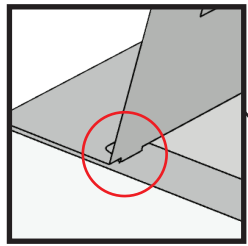
3



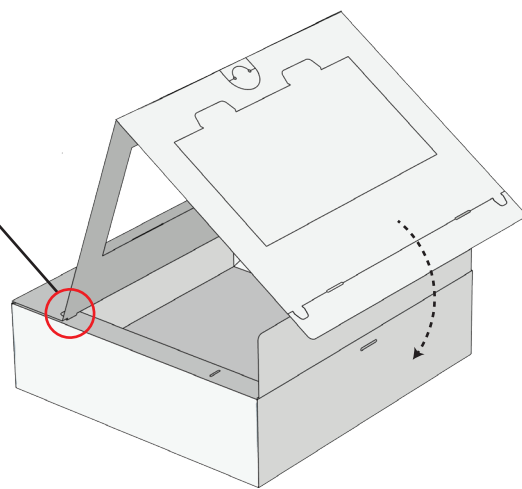
Insert the catch into the hole.

Open up the cover flap to unveil two small catches.

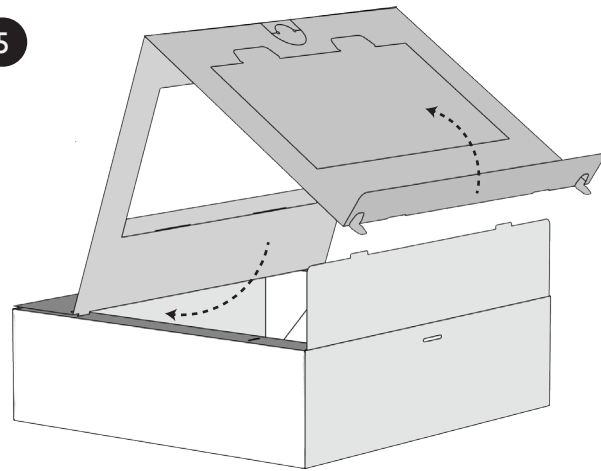
4



Make sure the catch is securely locked

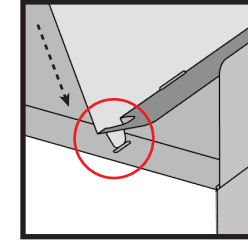


5

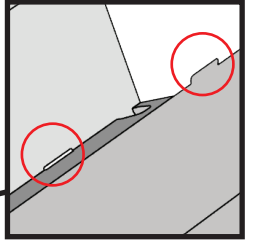
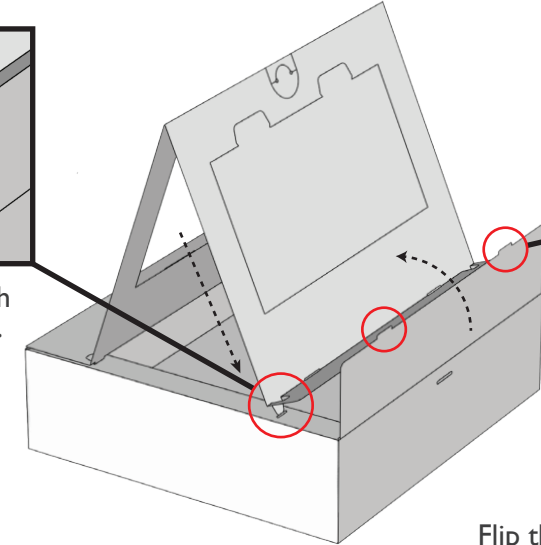


Flip the small flap on the right of the cover up and fold the cover flap inwards.

6



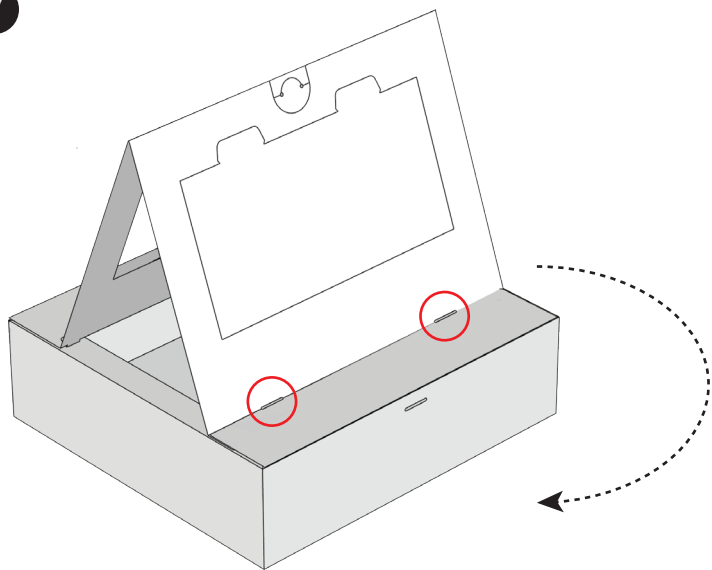
Insert the catch in to the hole.



Ensure the catch is tucked into the preformed hole.

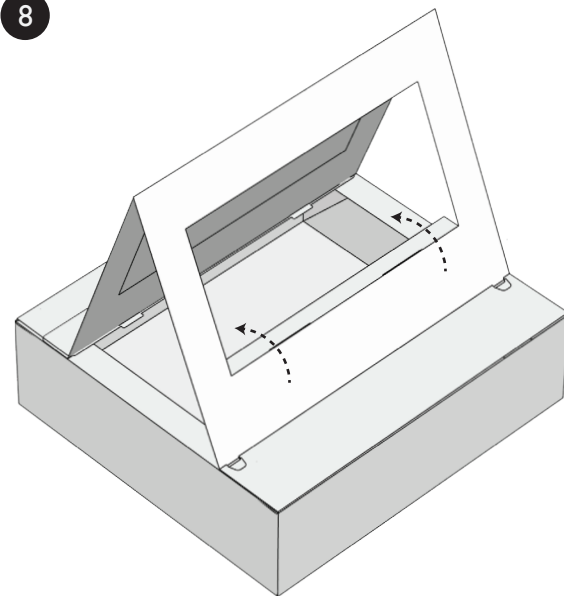
Flip the the front flap down

7



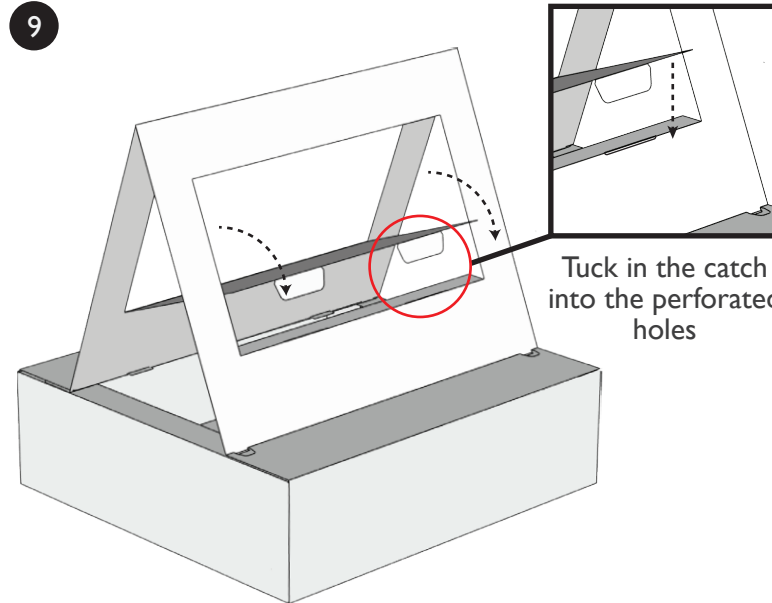
Tuck in both the catches and turn the box around

8



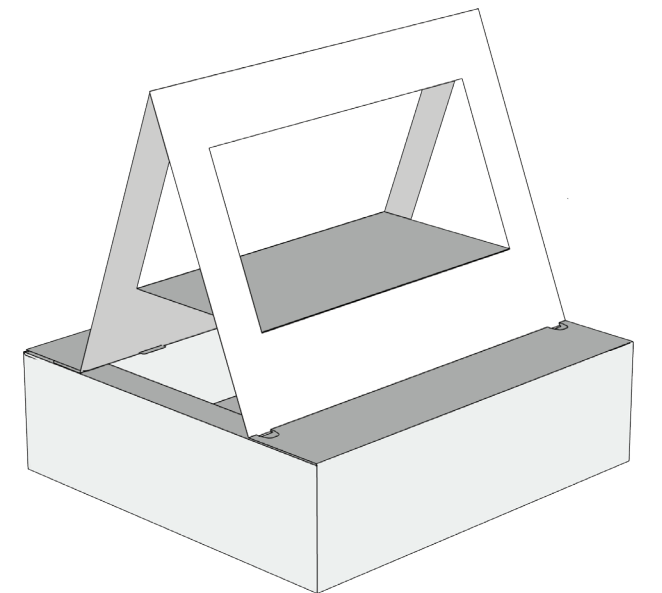
Tuck in the small flap at the base of the window

9



Tuck in the catch into the perforated holes

Push down the perforated flap



Your display stand is complete!